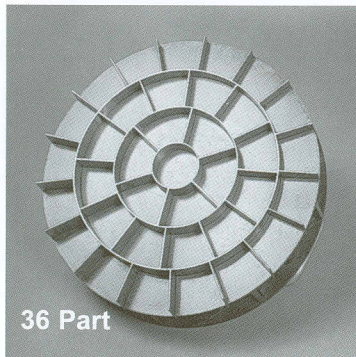


Erika RH Series

5-in-1, Round-Head, Semi-Automatic Divider/Rounders

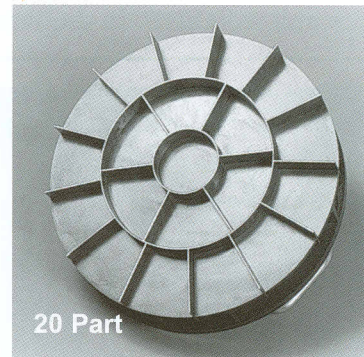
You can divide and round dough pieces from 1 to 21 ounces using the 5 heads listed below. Changing heads, or removing them for washing in sink or pan washer, takes only a couple of minutes. Heads are made of light weight aluminum casting. Head and knives are teflon-coated to work with sticky doughs.

Electrical and dimensions are the same as machines on page 2 (to the left)



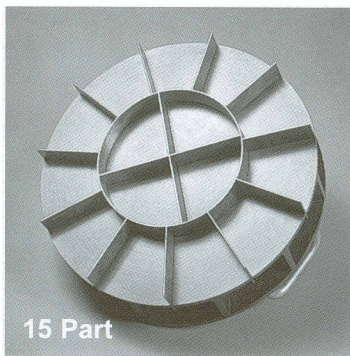
36 Part

Weight range: 1 - 4 oz.



20 Part

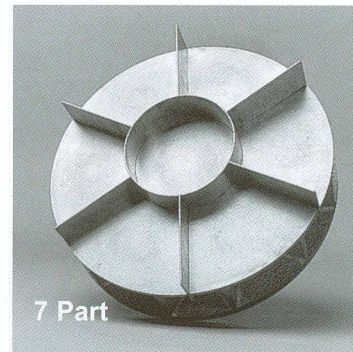
Weight range: 2 1/2 - 7.1 oz.



15 Part

Weight range: 5.4 - 9.5 oz.

(Note: 30-part head is not shown)



7 Part

Weight range: 9 - 21 oz.

RH Models Semi-automatic Machines	Capacities			Weights		Crate Dimensions D x W x H
	Number of parts	Weight of individual dough pieces - in ounces	Total Weight range in lbs.	Net Weight lbs.	Shipping weight lbs.	
11/31 RH*	36	1 - 4	2.3- 9.0	770	880	31"x33"x63"
4/41 RH*	30	1.4 - 4.3	2.6 - 8.1	770	880	31"x33"x63"
7/71 RH*	20	2.5 - 7.1	3.1 - 8.9	770	880	31"x33"x63"
6/151 RH*	15	5.4 - 9.5	5.1 - 8.9	770	880	31"x33"x63"
8/251 RH*	7	9.0 - 21.0	3.9 - 9.2	770	880	31"x33"x63"

*When ordering additional heads with any of the RH Models above, refer to them as follows:

- 36 part head, Model 11/31 RHA • 30 part head, Model 4/41 RHA • 20 part head, Model 7/71 RHA
- 15 part head, Model 6/151 RHA • 7 part head, Model 8/251 RHA

9/21 RH	36	0.7 - 2.5	1.5 - 5.6	770	880	31"x33"x63"
<p>This model has been specifically designed for customers who require a smaller weight range (0.7 - 2.5 ounces per piece) for specialty applications like flour tortillas and miniature rolls.</p> <p>However, this 9/21 RH model <u>cannot</u> be interchanged with the other models listed above because the head diameter of the 9/21 RH is smaller</p>						