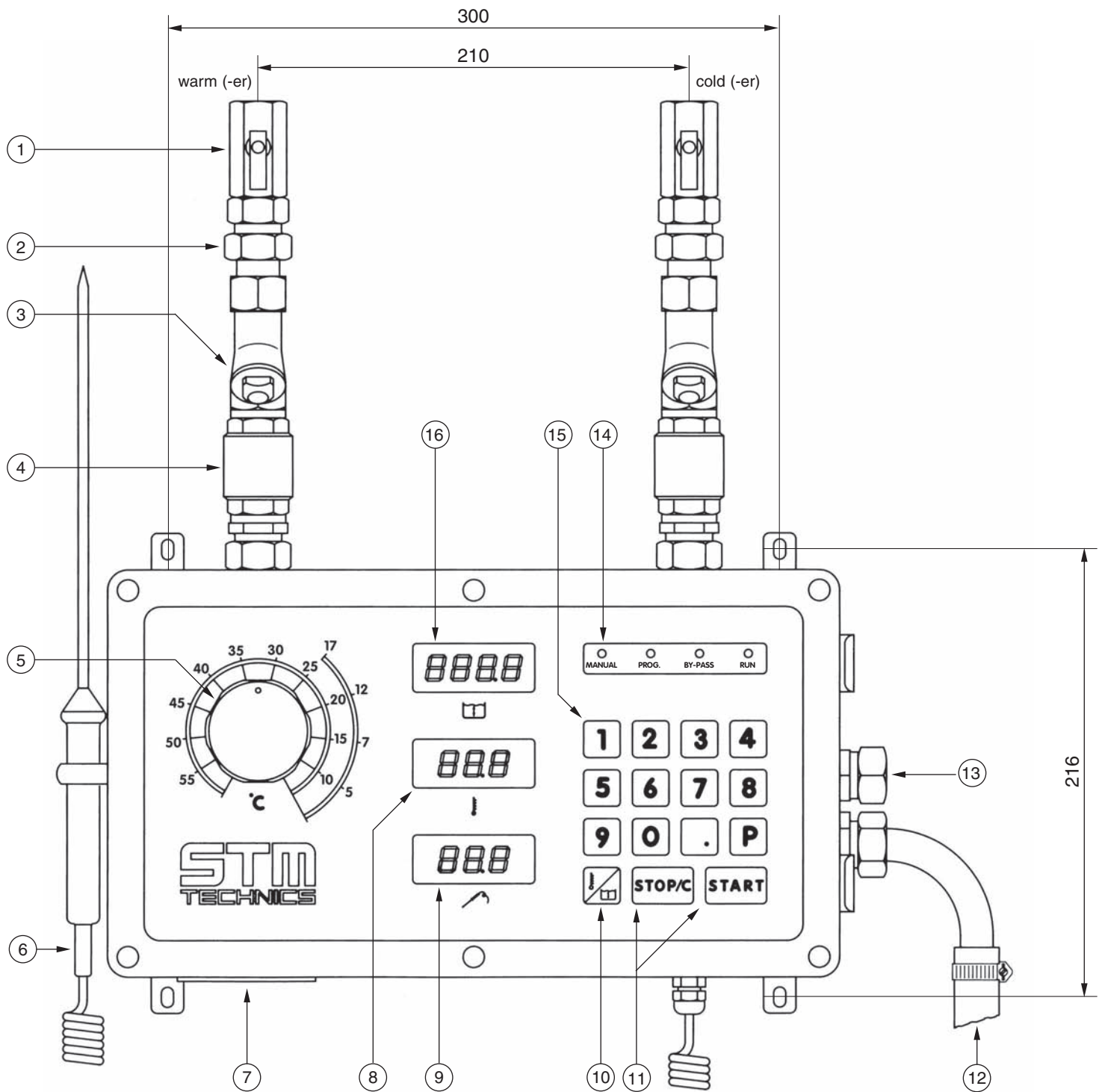
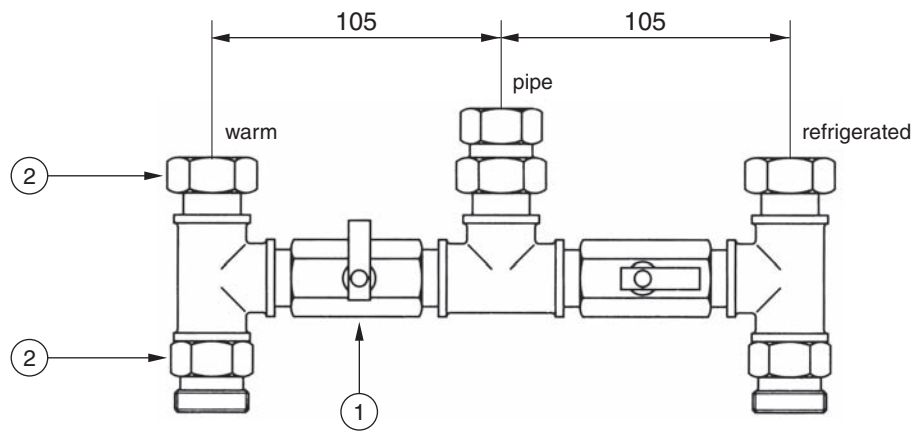


The most advanced solution to the c

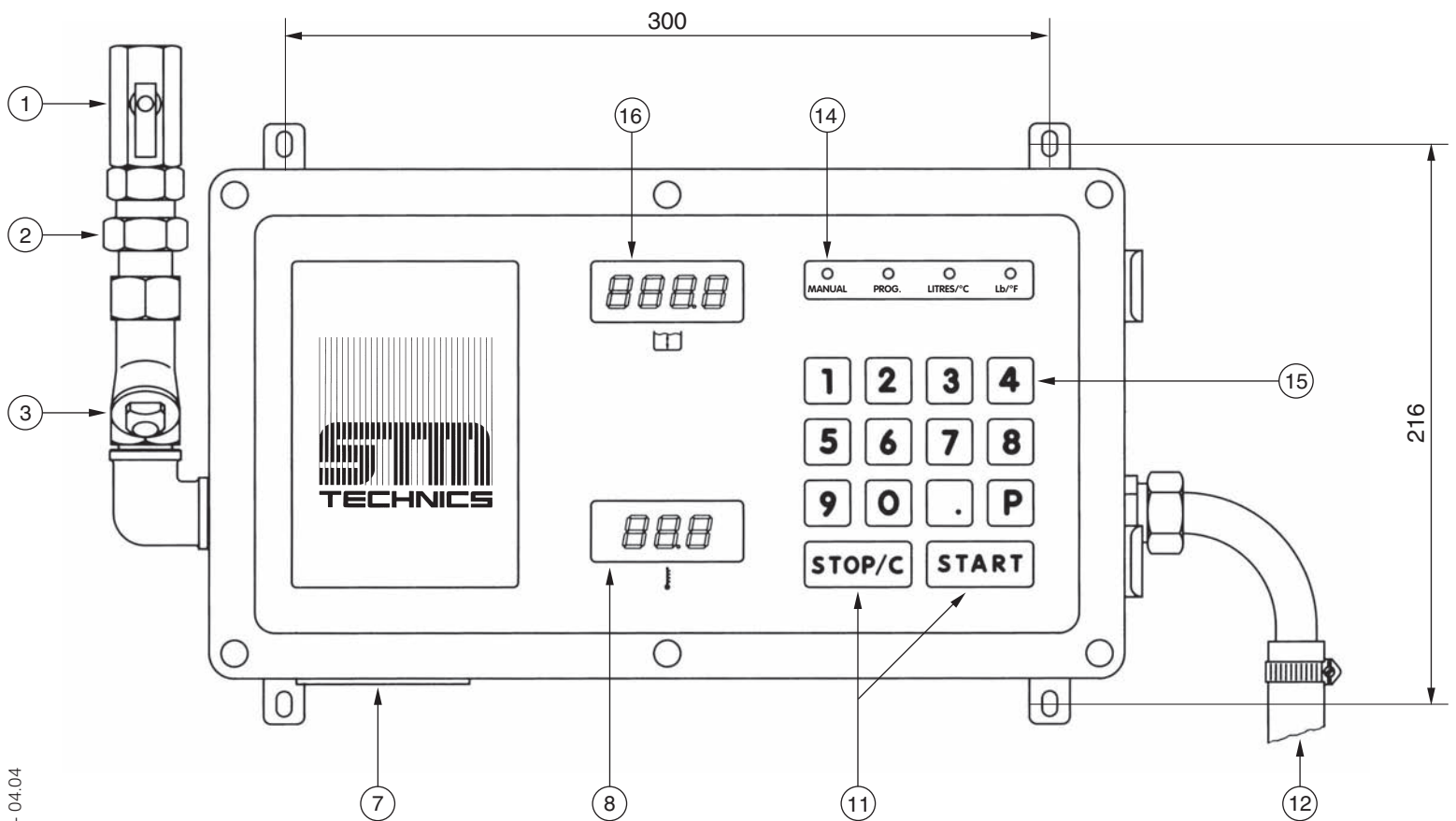


DOMIX 45 A

dosing and mixing problems thanks to



3 - PIPES FEEDING



DOX 45

to the **STM** microprocessor technology

DOMIX 45 A

DESCRIPTION

It is an electronic Doser-Mixer with microprocessor electronics, equipped with a digital touch-type keyboard for setting the quantity and the temperature of the water to be dosed, with 80 different recipes. It is equipped with digital displays for the visualization of the water quantity and temperature and for the temperature measured by the external probe. Mixing and by-pass are automatic. It doses and mixes warm and pipe water, warm and refrigerated water; refrigerated and pipe water; warm, refrigerated and pipe water (according to the type of installation) to obtain the desired water quantity at the desired temperature. An automatic by-pass is foreseen for draining of water not at set temperature, which can be controlled thermostatically or by time. The device has the double function of doser and microdoser: it is possible to set either big batches (up to 999,9 l) at a resolution of tenth of litre, or small batches at a resolution of centesimal of litre (up to 99,99l).

STANDARD FEATURES

- Structure in 4 and 5 mm thick ABS and stainless steel or completely 1,5 mm thick stainless steel.
- Microprocessor logic with permanent memory for 80 different recipes to be recalled, plus one always present.
- Digital keyboard (15) for setting or recalling of memories or manual delivery.
- Key (10) to move from the setting of the quantity to the setting of the temperature, and vice versa.
- Keys (11) START for starting or restarting water delivery, and STOP/C for manual stop or eventual clearing of visualized memory.
- Digital display (16) for selected, yet to be delivered (during batching), or already discharged (after pressing STOP) litres.
- Digital display (8) for the set and real temperature at the delivery, showing tenths of degree.
- Digital display (9) for the temperature measured by the external probe, showing tenths of degree.
- External temperature probe (6), with a 5 m extensible cable.
- Series of function control lights (14).
- Supply plug, with fuse and spare (7) and remote pump control plug, with fuse and spare.
- Regulation knob (5) for setting temperature, with two reference scales (warm and pipe water and pipe and refrigerated water).
- Ball-taps (1) with OR gasket.
- OR gasket-type unions (2) for an easier installation.
- Double stainless steel net filters (3) for water impurities.
- No-return valves (4).
- 2,5 m delivery hose (12) with stainless steel terminals.
- By-pass fitting (13), to be connected to a waste pipe (or a 2nd hose).
- Internal fittings made entirely of bronze, brass and stainless steel.

DOMIX 45

It is a Doser-Mixer, similar to the DOMIX 45A, except for:

- The lack of the automatic by-pass, substituted by a manual ball-tap.
- The temperature in the recipes has the only function of memorization for the operator and can also be omitted.
- The lack of the microdoser function.

DOX 45

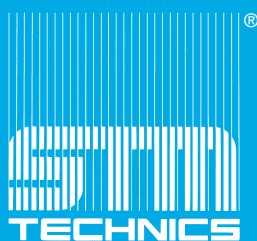
It is the Doser of the 45 Series. The delivery temperature is only measured and shown on display (8).

DOX 45 (compared with DOMIX 45) has:

- No external temperature probe and display.
- No by-pass.
- No temperature setting knob.

OPTIONS

- Remote START and STOP controls through clean contacts.
- Remote control by RS 422 or RS 485 serial interface.
- Kit of fittings of brass and stainless steel for three pipes feeding (warm, cold and refrigerated water); for Domix 45 and 45A only.
- Second drain-hose for the by-pass, for Domix 45 and 45A.



STM PRODUCTS s.r.l.
Via Morgagni, 14 - VERONA - ITALY
Tel. --39/045/585700 - Fax --39/045/585730
E-mail: info@stm-products.com

DATI TECNICI – TECHNICAL FEATURES – TECHNISCHE DATEN – DATOS TÉCNICOS – DONNÉES TECHNIQUES

TIPO - MODEL - TYP - TYPE - MODELO	DOX 45	DOMIX 45	DOMIX 45 A
Attacchi acqua Water connections Wasseranschlüsse Raccords pour l'eau Cañerías del agua	"	1/2	
Scarico acqua di by-pass By-pass water fitting By-pass Anschluß Raccord eau de by-pass Juntura agua del by-pass	mm	—	16
Temperatura max acqua in entrata Max water entry temperature Höchsttemperatur des Leitungswassers Température maxi eau à l'entrée Temperatura máx agua a la entrada	°C	65	
Campo di regolazione Setting range Einstellbereich Plage de régulation Campo de regulación	°C	—	1÷60
Precisione sulla temperatura Temperature precision Temperatur-Genauigkeit Précision dans la température Precisión en la temperatura	± °C	—	1
Pressione max acqua in entrata Max water entry pressure Max. Leitungswasserdruck Pression maxi eau à l'entrée Presión máx agua a la entrada	bar	5	
Pressione min acqua in entrata Min water entry pressure Min. Leitungswasserdruck Pression mini eau à l'entrée Presión mín agua a la entrada	bar	0,5	1
Rapporto max tra le pressioni in entrata Max ratio between the two entry pressures Max. Eintrittwasserdruckverhältnis Rapport maxi entre les pressions à l'entrée Proporción máx entre las presiones a la entrada		—	1 : 5
Dosaggio massimo Maximum dosing Max. Wasserdosierung Dosage maximal Dosificación máxima	l	999,9	999,9 / 99,99
Precisione sul dosaggio Dosing precision Wassermenge-Genauigkeit Précision dans le dosage Precisión en la dosificación	± %	1	
Dosaggio minimo per la precisione del ± 1% Minimum dosing to obtain the precision of ± 1% Min. Wasserdosierung um die Genauigkeit von ± 1% zu erreichen Dosage minimal pour obtenir la précision de ± 1% Dosificación mínima para obtener la precisión de ± 1%	l	5	0,5
Portata acqua a 1 bar e 20 °C Water delivery at 1 bar and 20 °C Durchfluß bei 1 bar und 20 °C Débit d'eau à 1 bar et 20 °C Volumen agua a 1 bar y 20 °C	l/min	25	18
Portata acqua a 5 bar e 20 °C Water delivery at 5 bar and 20 °C Durchfluß bei 5 bar und 20 °C Débit d'eau à 5 bar et 20 °C Volumen agua a 5 bar y 20 °C	l/min	55	40
Tensione / Frequenza Voltage / Frequency Spannung / Frequenz Tension / Fréquence Tensión / Frecuencia	V / Hz	230 - 110 / 50 - 60	
Potenza assorbita Power Leistungsaufnahme Puissance absorbée Potencia absorbida	VA	25	



DOSERS-MIXERS DOMIX® 45 SERIES





DOSER DOX[®] 45

